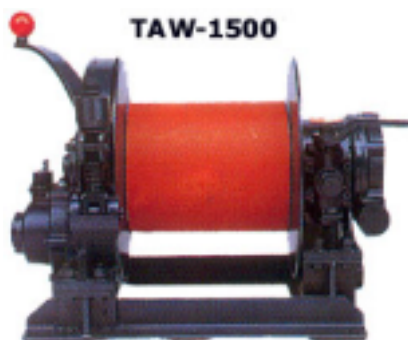


# TOKU TAW AIR WINCH Series

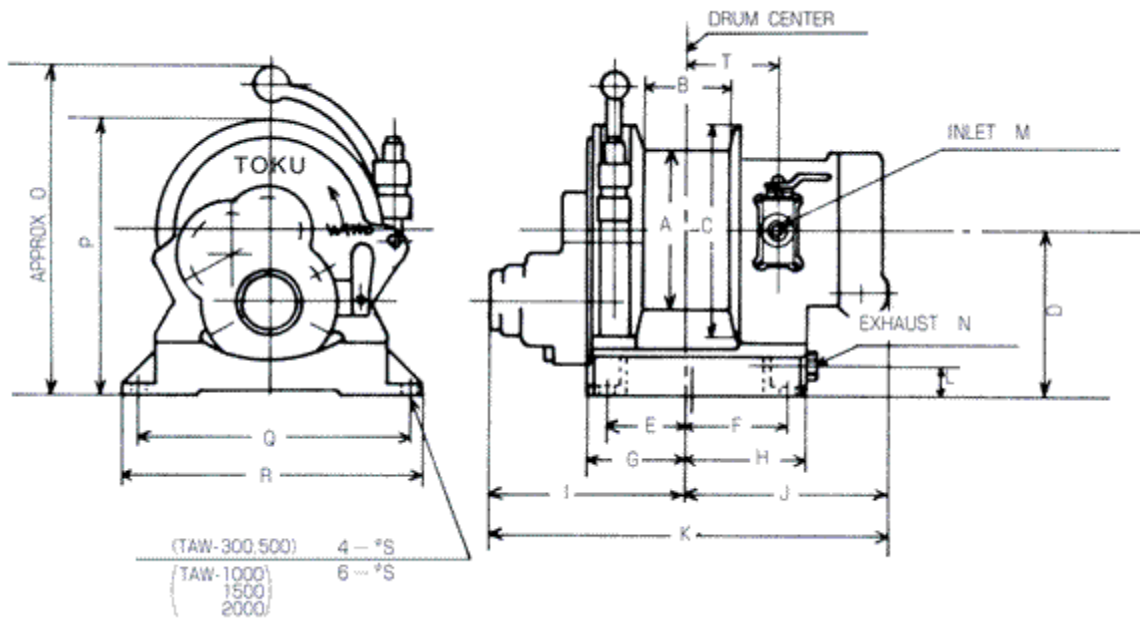


## SPECIFICATIONS

MODEL	Capacity kg	Wire Rope mm x M	Air Pressure kg/cm <sup>2</sup>	Rope Speed M/min	Air Consumption M <sup>3</sup> /min	Net Weight kg	Hose Size mm	Air Inlet
TAW-300B	300	6x60	4	15	1.7	42.5	19	P.T
			5	20	2.7			
			6	27	3.4			
TAW-500	500	8x100	4	12	1.7	70	19	P.T
			5	16	2.7			
			6	20	3.4			
TAW-1000	1000	10x100	4	4.0	1.7	88	19	P.T
			5	5.2	2.7			
			6	6.7	3.4			
TAW-1500	1500	12x80	4	3.0	1.7	88	19	P.T
			5	4.3	2.7			
			6	5.5	3.4			
TAW-2000	2000	16x65	4	3.0	2.5	130	19	P.T
			5	4.0	3.2			
			6	5.0	4.2			



## EXTERNAL DIMENSIONS



**Dimensions in mm**

MODEL	A	B	C	D	E	F	G	H	I	J	K	L	M	N	O	P	Q	R	S	T
TAW-300B	162	102	238	160	87	103	102	118	184	193	377	-	P.T3/4	-	377	279	260	282	11	98
TAW-500	180	150	308	225	200	160	220	180	255	220	475	58	P.T3/4	P.T1 1/4	447	380	310	350	14	124
TAW-1000	200	243	340	225	253	209	269	227	307	267	574	58	P.T3/4	P.T1 1/4	448	396	310	350	14	171
TAW-1500	200	243	340	225	253	209	269	227	307	267	574	58	P.T3/4	P.T1 1/4	448	396	310	350	14	171
TAW-2000	300	236	460	286	249	207	269	226	307	268	575	41	P.T3/4	P.T1 1/4	583	516	420	460	14	172